



Declaration of Conformity

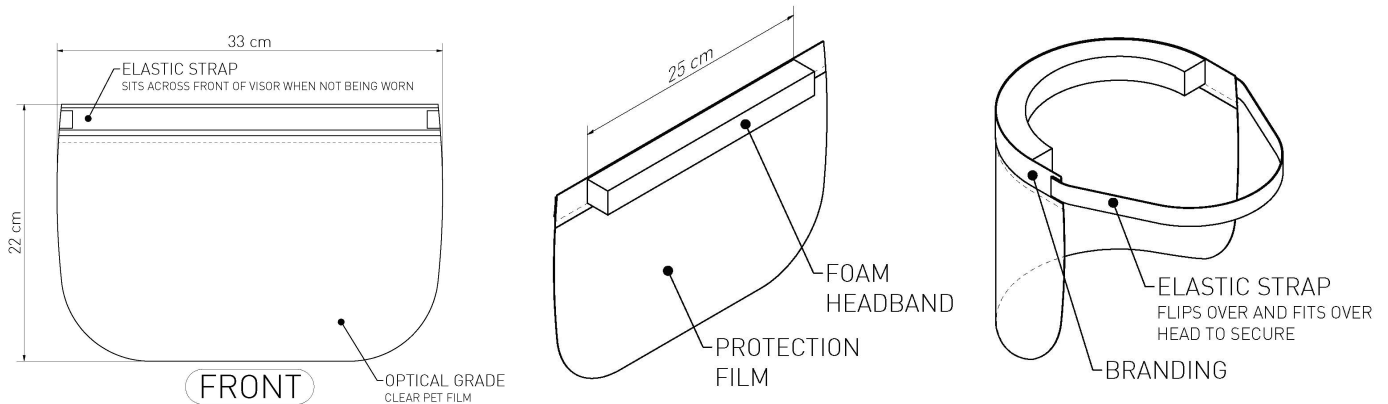
The Manufacturer: Tecman Speciality Materials Ltd
Berrington House, Berrington Rd, Royal Leamington Spa CV31 1NB, United Kingdom

Declare that the Product: Tecman Face Visor TEC-FACEVISOR_1, TEC-FACEVISOR_2

Notified Body: SATRA Technology Europe Ltd (2777)

EU Type Examination Cert. 2777/14610-03/E00-00

Tecman's lightweight face shield with anti-fog properties protects the face and eyes from splashing or spraying of infectious or hazardous substances. The disposable face shields are manufactured from optically clear polyester for maximum visibility, whilst the soft elastic strap and PU foam headband provide additional, long-term comfort and durability.



That the equipment is in conformity with the following directives:

REGULATION (EU) 2016/425

Standards/Technical specifications applied:

EN 166: 2001 cl 6.1-6.3, 7.1.1, 7.1.2.1-7.1.2.3, 7.1.3, 7.1.5.1, 7.1.7 & 7.2.4

And that the equipment is in conformity with the following harmonised standards:

EN 166:2001 Certified – Category III in accordance with EU commission recommendation sheet 2020/403

This declaration of conformity is issued under the exclusive responsibility of the manufacturer.

Royal Leamington Spa, 10/04/2020

Kevin Porter
Tecman Speciality Materials Ltd
Technical MD

REGISTERED IN ENGLAND: 12589354

DOC QMS78 V3.0, JUN 2021

TECMAN ADVANCED HEALTHCARE PRODUCTS LTD			
Berrington House Berrington Road Leamington Spa CV31 1NB			
	+44 (0) 1926 337 466		sales@tecmanuk.com
	www.tecmanuk.com/healthcare-products		02